

January 21, 2015

Company Name: Minebea Co., Ltd.
Representative: Yoshihisa Kainuma
Representative Director,
President and Chief Executive Officer
(Code No. 6479, TSE Div. No.1)
Contact: Yasuo Komine
General Manager
Corporate Communications Office
Phone: +81-(0)3-6758-6703

Launch of the Industry's Highest Class
"2000W Compact, High-Power, High-Pressure Blowers (70DCF series)"
- Reduce electricity costs by up to about 60%!-

Minebea Co., Ltd. (Minebea) has launched 2000W Compact, High-power Brushless High-pressure Blowers (70DCF series) that achieve the industry's highest class power* for DC brushless high-pressure blowers intended for industrial machinery.

(*: A comparison in terms of static pressure and air volume of a blower with a brushless motor as its driving source (source: Minebea))

The newly launched 70DCF series (2000W) of products are the most advanced models in the series developed to meet customer requests. They achieved an efficiency improvement of about 30% compared with our earlier series, a maximum static pressure of 28 kPa and a maximum air volume of 5 m³/min. They will help to significantly reduce electricity costs as effective energy-saving devices amid rising electricity costs.



High-pressure Blowers (70DCF series)

DC Brushless High-Pressure Blower Series

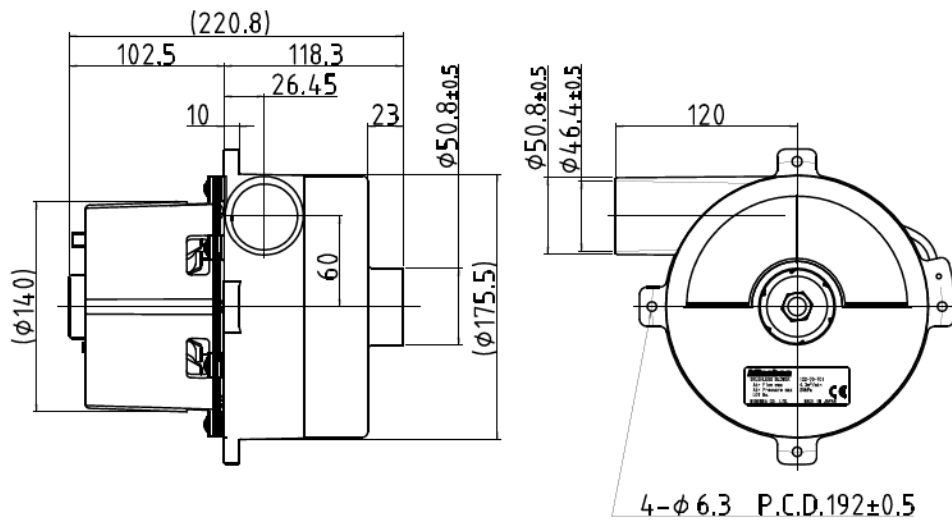
The cumulative sales have exceeded 20,000 units since their launch in 2008. Since the blowers employ DC brushless motors as the driving source, they are (1) high-efficient, (2) compact and lightweight and (3) high-power compared to high-pressure blowers with an AC motor. Their energy-saving properties including a speed control function and low heat generation (1/10th that of competitors, which allows for a significant reduction of cooling cost) have reduced electricity costs by up to about 60% in comparison with AC motor models with the same output (a record of a user who reassessed its basic electricity charge by cutting back on its overall electricity consumption).

<Applications>

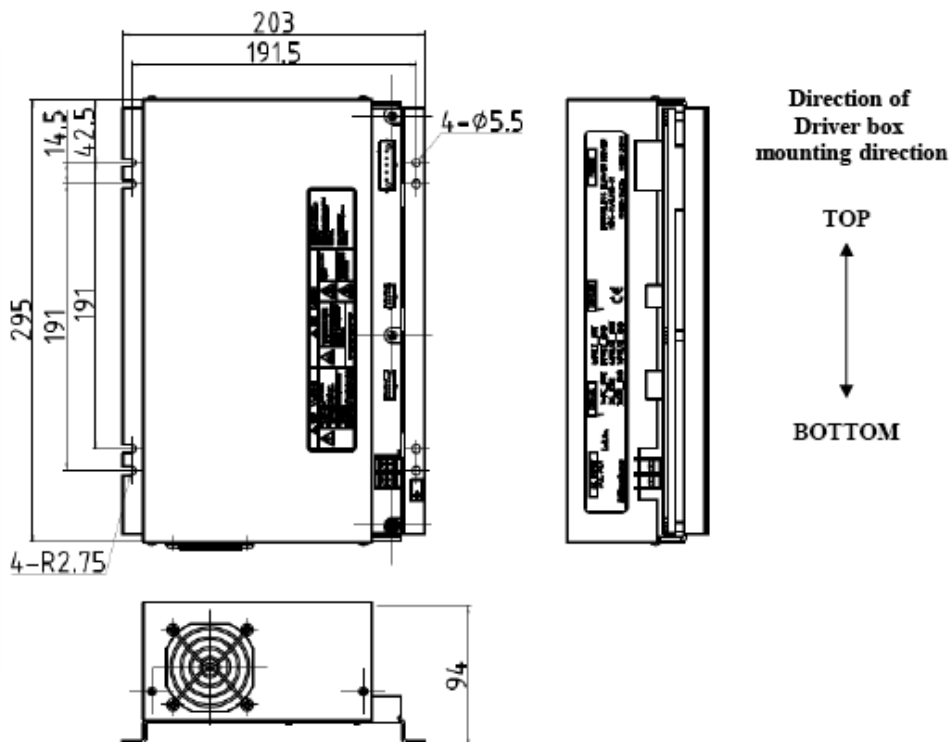
Printing machines, washing machines, dust catchers, packaging machines, food machines, semiconductor equipment, automatic devices, testing devices, plant air, etc.

<Outline Drawing>

[Main Body]

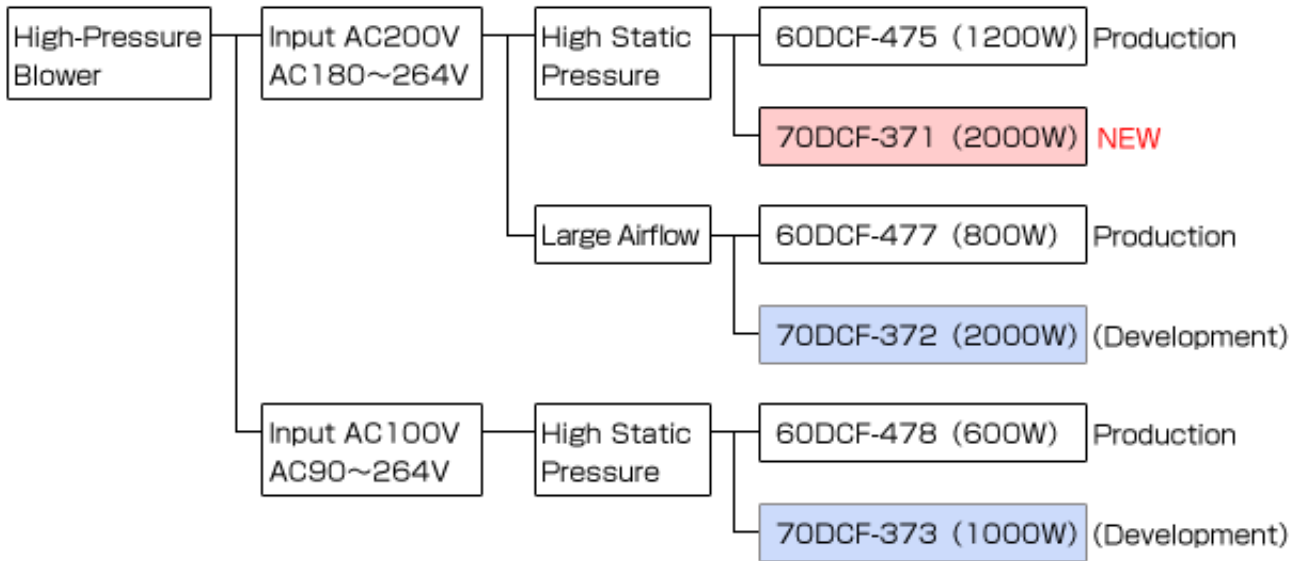


[Driver]



Patent pending for the structure

<Product Lineup>



■Sales Inquiries:

Special Device (Commercial) Products Sales Management
Phone +81-(0)3-6758-6736 Fax +81-(0)3-6758-6741

■Media Inquiries :

Corporate Communications Office
Phone +81-(0)3-6758-6703 Fax +81-(0)3-6758-6718

<Links>

- Online Catalogue
Product News - 70DCF-371 High-Pressure Blower Released
(http://www.eminebea.com/en/news/2014/11/2000w_70dcf_371.shtml)
- Press Releases
 - March 19, 2013
Minebea Developed the Industry's Highest Class "2000W Compact, High-Power, High-Pressure Blowers (70DCF series)"
(http://www.minebea.co.jp/english/press/2013/1187486_5691.html)
 - April 21, 2010
Minebea to Launch Industry's First World Wide Input Voltage Model of the Compact & light High-Efficiency "DC Brushless High-Pressure Blower" Series
(http://www.minebea.co.jp/english/press/2010/1185063_3999.html)
 - October 28, 2008
Launching of Compact, High-Efficiency, High-Power DC Brushless High-Pressure Blowers
(http://www.minebea.co.jp/english/press/2008/1183790_3306.html)

###